



DSN-30

Nebula Optical Flap Turnstile

SAFETY
LEVEL

AESTHETICS

COSTING

Description

- Nebula optical flap turnstile with the most special feature is faster open and close speed than other turnstile gates, normally 45 persons per minute which is perfect for the sites with big visitor's flow rate.
- Nebula optical flap turnstile with unique design, stylish of modern and urbanization cabinet, typical swipe card panel, attractive blue LED strip, solid body crate, brushed stainless steel and high-end black painting process.
- Superior production: Integrated mold production to ensure the high quality guaranteed.
- Fined welding: adopt Robot for weld to improve the high technological level.
- It is ideal for both indoor and outdoor settings.
- It is to control pedestrian entry or exit in restricted areas, usually used in high pedestrian traffic flow in both directions.
- It has standard relay signal, which can be integrated with any kind of third-party access control system (e.g.: RFID, Fingerprint and Biometric reader device).
- In case of emergency, the arms will open automatically to allow free passage when power off.
- It supports standard flap type 550mm and handicapped swing type 1100mm for wide passageway, wheelchair, and pedestrian with large luggage can also pass.



We don't only offer turnstile gates
We offer full access control solutions

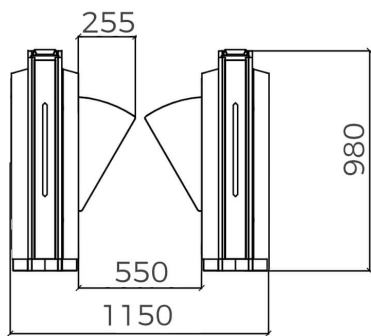
Features

- ✓ Long-life performance, high operation dependability and fast response.
- ✓ Single directional or Bi-directional is selectable.
- ✓ Automatic reset function: arms will lock automatically within 5s (can be setting) if passenger delay to entry.
- ✓ When power is off, arms will open automatically, which is complying with fire safety requirements.
- ✓ LED indicator (red means no entry; green means entry; blue means normal close).
- ✓ Infrared sensor alarm function, in case of illegal intrusion and reverse intrusion.
- ✓ Anti-intrusion function, the speed gate is locked automatically until valid opening signal input.
- ✓ Anti-reverse function, the turnstile alarms if someone wants to entry in the reverse direction.
- ✓ Anti-trailing function, the turnstile will alarm if someone wants to burst in without permission.
- ✓ It has the fastest open and close speed rate and can be adjusted.
- ✓ It is suitable for areas with general pedestrian traffic (e.g.: Hotel, Gym, Building, Shopping mall, Reception Area and so on).
- ✓ Easy to install and maintain.
- ✓ 3-year warranty support.



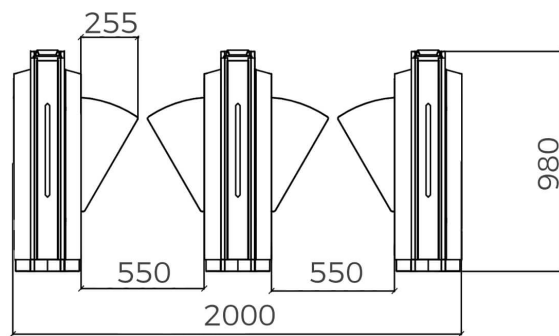
Specification

Model No.	DSN-30
Type	Nebula Optical Flap Turnstile
Brand	Daosafe
Certification	Compliance CE, ROHS
Communication	Dry contact, Relay signal, RS485
Framework Material	304 brushed stainless steel+ High end black painting
Arm material	Plexiglas-transparency
Dimension	1600 * 150 * 980mm
Net Weight	75kg/pcs (single core), 85kg/pcs (double core)
Passage Width	550mm (standard), 1100mm (Handicap)
Passing Direction	Single directional / Bi-directional
MCBF	9 million
Power Supply	AC220V/110V, 50/60Hz
Operation Voltage	24V DC
Power Consumption	90-100W
Operation Temperature	-20 °C - 75 °C
Operation Humidity	0 ~ 95% (No freeze)
Working Environment	Indoor / Outdoor (shelter)
Flow Rate	45 people per minute
LED Indicator	Unique blue LED strip (front+ top+ arm)
Infrared Sensor	3 pairs(standard)
Emergency	Automatic arm open when power off
Flexibility	Integrate with any access control

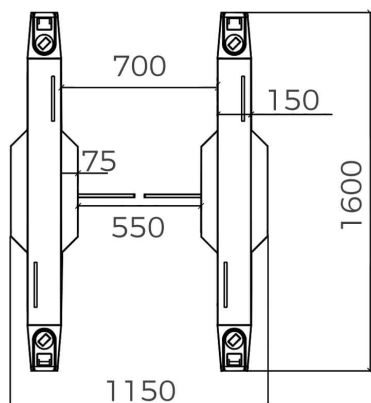


One lane

[Front view]

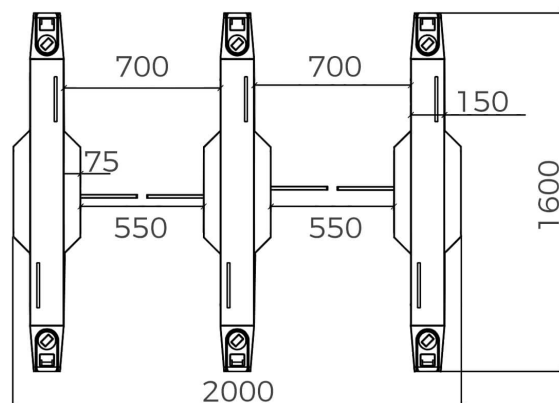


Two lanes



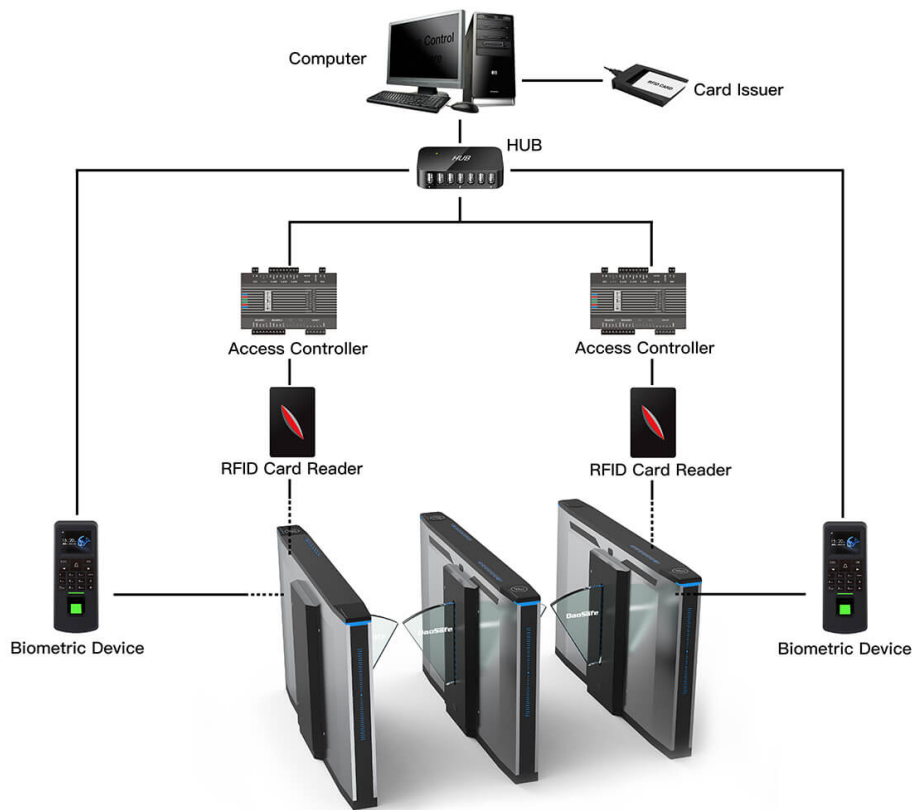
One lane

[Top view]



Two lanes

System Integration Figure



Nebula Optical Flap Turnstile DSN-30

REMARK:

- The turnstile circuit board support to work with any relay signal, and support to integrated with any 3rd party access control system: RFID, BIOMETRIC, QR/BARCODE and so on.
- Multiple access controller board can be connected by TCP/IP through net cable, control by central computer.
- The turnstile circuit board is also with RS232 output, it can connect with mini PC. Turnstile will open once received simple code by computer, which is suitable for the complicated like ticketing system solution.

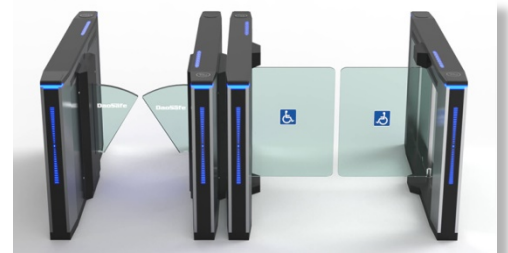
It supports standard flap type 550mm and handicapped swing type 1100mm for wide passageway, wheelchair, and pedestrian with large luggage can also pass.



One Lane



Two Lanes



Two Lanes with Handicapped Access