

Pedestrian Security Gate Model DSSP6003



FEATURES

- The pedestrian security gate device is designed to work together with turnstile gates.
- Support three types: Manual type open by lock, manual type with electronic lock, automatic type with motor drive.
- Support to integrate with any kind of third-party access control system.
- The body is made of brushed stainless steel +glass, which is anti-rust, durable, and good looking.
- It is suitable for both indoor and outdoor applications.
- Working way: single direction or bi-direction.
- Passing width support for handicapped /wheelchairs/emergency purpose.
- Automatically open when power off or fire systems alarm.
- Easy installation and maintain.
- 3 years free warranty.

High Quality

High Security

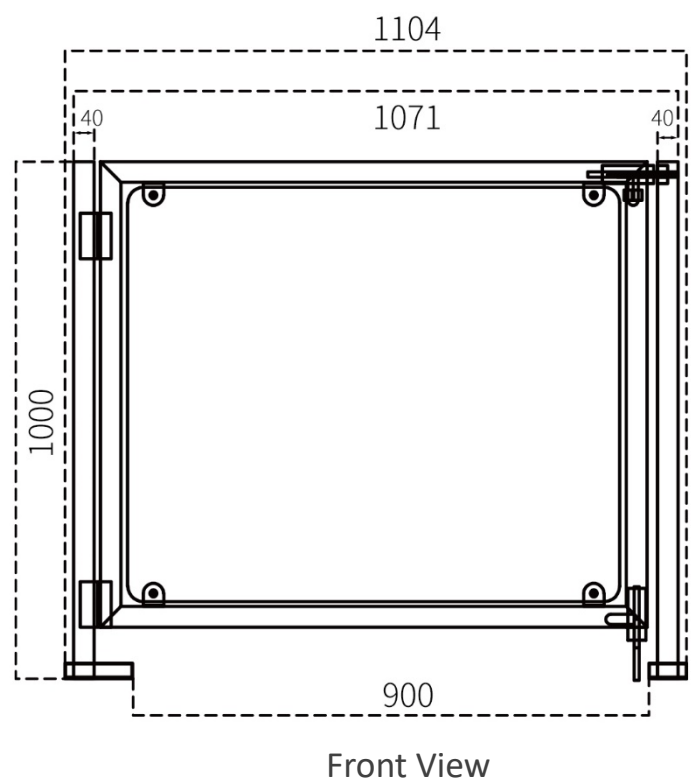
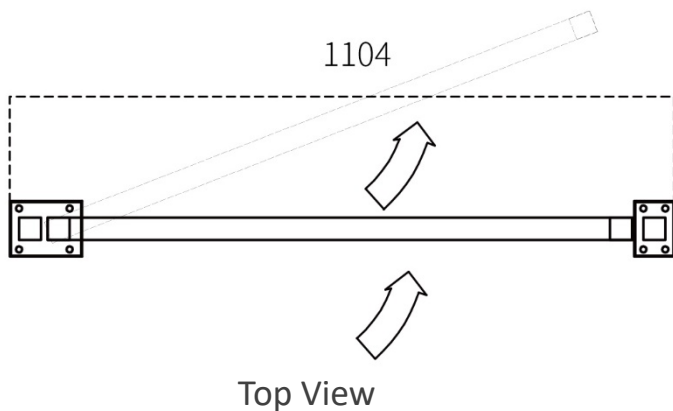
High Stability

SPECIFICATION

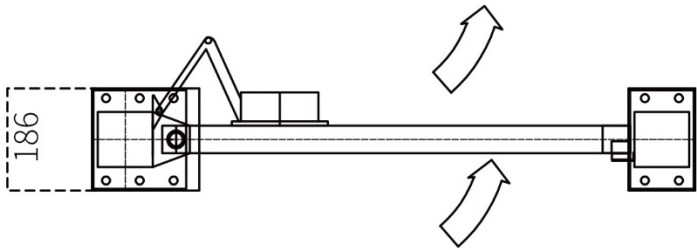
Model No.	DSSP6003
Brand	Daosafe
Type	Pedestrian gate
Framework Material	304 Full stainless steel
Dimension	1200 * 1210mm
Passage Width	900mm (Standard)
Weight	35kg/pcs
Power Supply	AC220V/110V, 50/60Hz
Operation Voltage	24V DC
Power Consumption	20W
Operation Temperature	-15 °C - 60 °C
Operation Humidity	0 ~ 95% (No freeze)
Working Environment	Indoor / Outdoor
Standard Opening	90 Degrees
Drive Unit	Manual, magnetic lock or automatic motor drive
Working Environment	Indoor/Outdoor use
Optional Model	DSSP6003A, DSSP6003B, DSSP6003C

DIMENSION

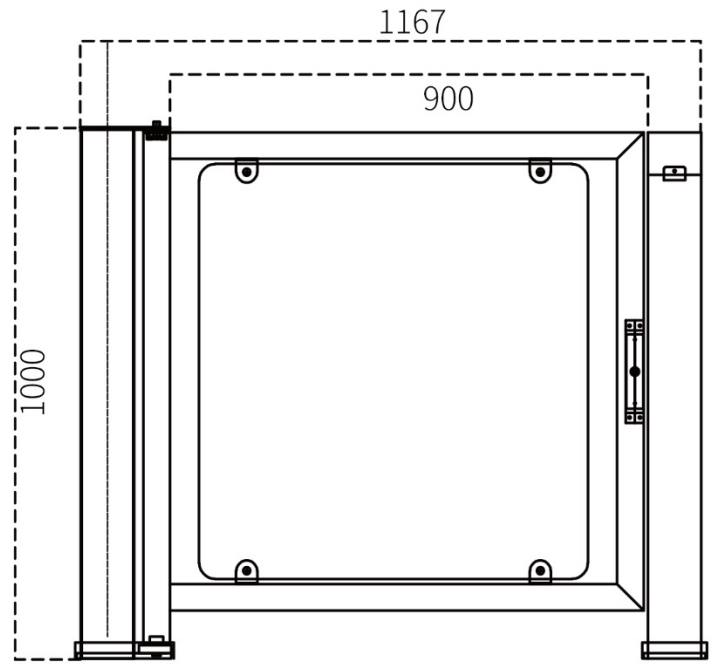
DSSP6003A



DSSP6003B

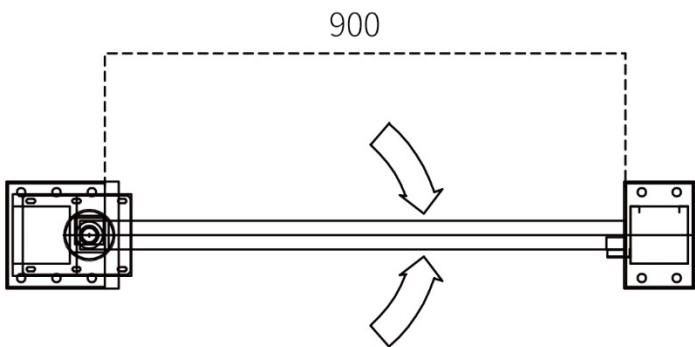


Top View

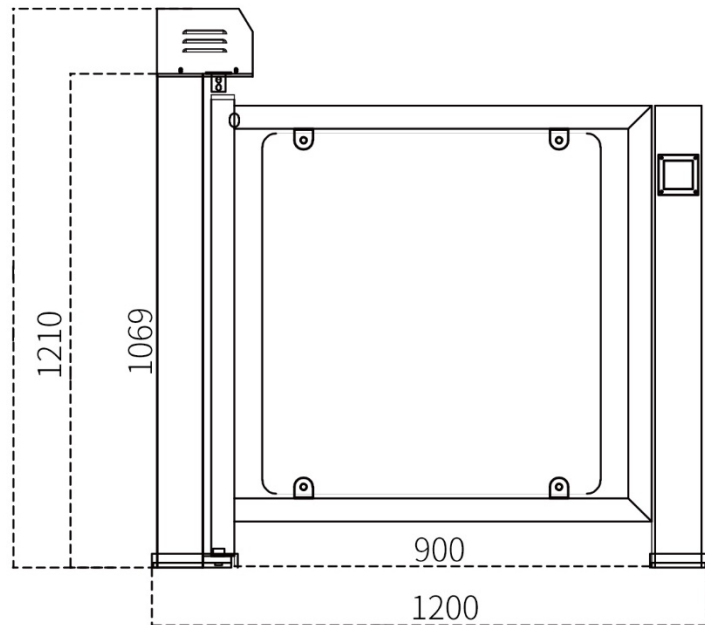


Front View

DSSP6003C



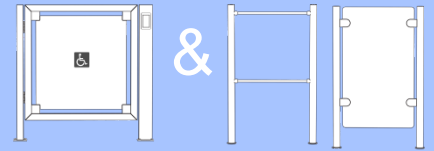
Top View



Front View

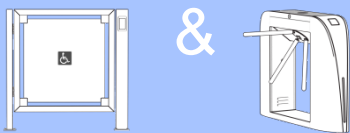
Combination Solutions

01. Working with Railings

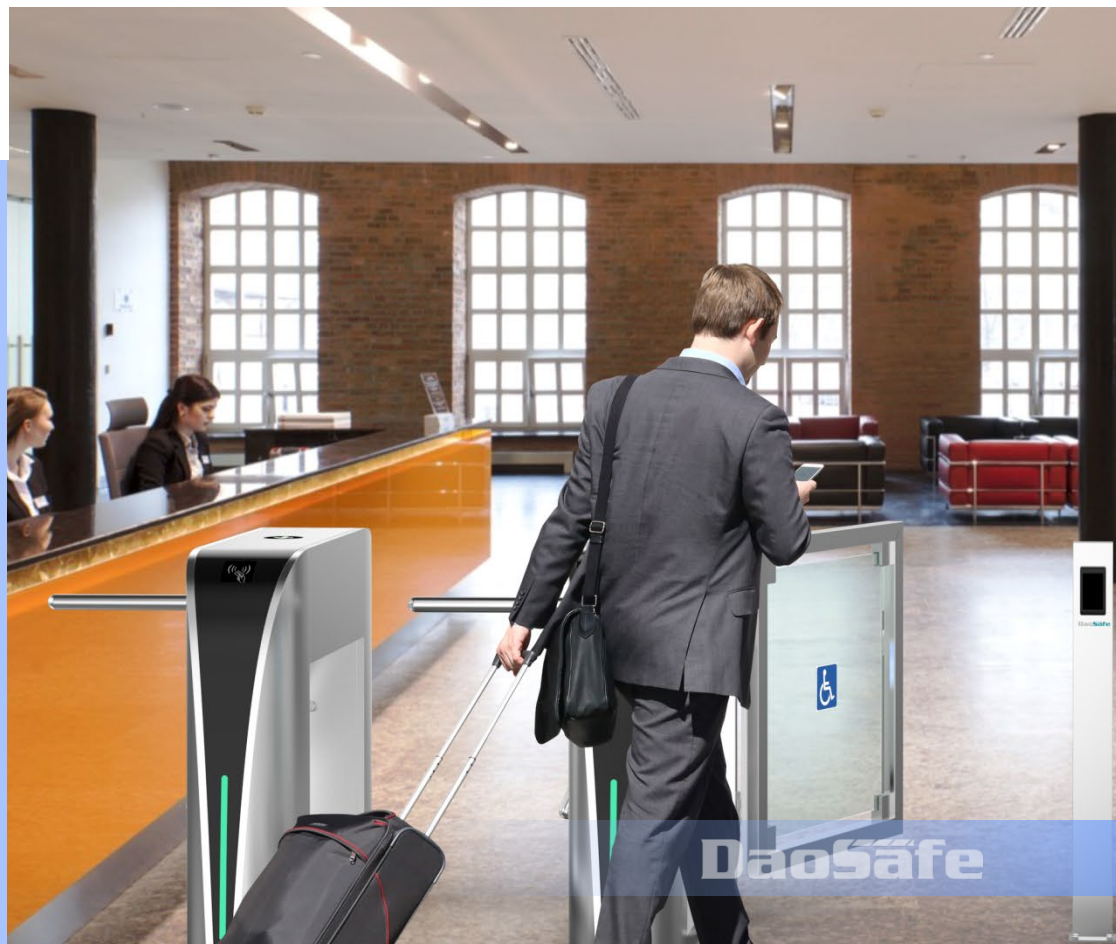


Matching with DSSP6002
Glass/SS railings is an easy and economic access solution to meet the demands of width and height of places' security needs.

02. Working with Turnstile gates



DSSP6003 security pedestrian gate is always in conjunction with turnstile gates, it's the most common and perfect combination way that solve the problem of controlling access of package delivery, carts, handicapped, etc.



Integration Solutions



- **Manual Key Lock- DSSP6003A**

No software include, use keys to open manually. It's a cost-effective solution to control traffic.

- **Electronic Lock (Manual type) - DSSP6003B**

Electronic lock can be in conjunction with any 3rd access controller to entry and exit. One-way manually opening the door.

- **Motor Drive (Automatic type) - DSSP6003C**

Two-way to open/close the door, also can integrate with any access control system, such as:

- **Push Button**
Remote control push button or button on the exit side.
- **RFID Card**
All kinds of RFID card reader, such as Mifare, Em cards, HID card...
- **Face Recognition**
Dynamic face recognizes, non-contact and trendy solutions.
- **Other Access Controllers**

You can also install other access controllers you need according to the sites, like Bar/QR code, biometric device, key fob, wristband, etc.

We don't only offer turnstile gates

We offer full access control system

