



## DS408 Full Height Turnstile With Bicycle Gate

Single Door

SAFETY  
LEVEL

AESTHETICS

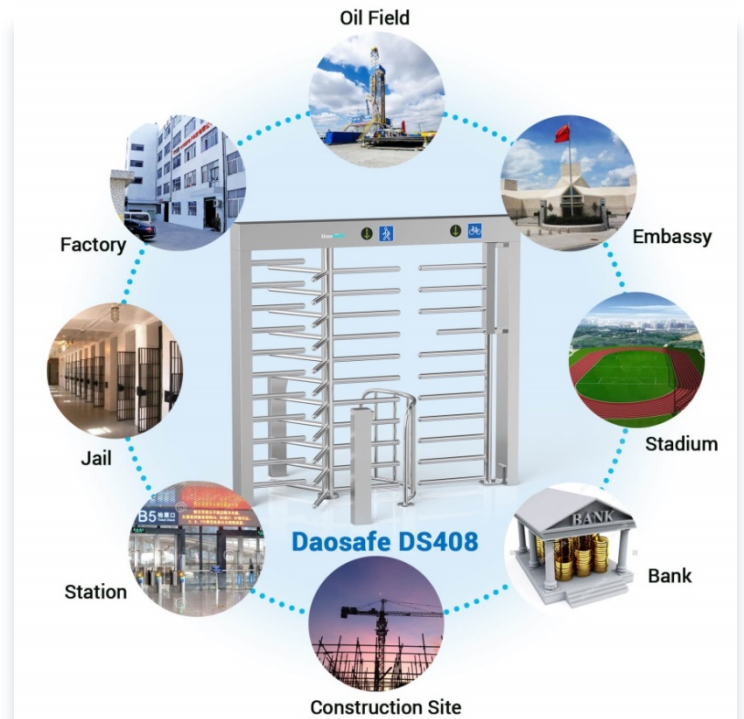
COSTING

### Description

- Full height turnstile the most obvious feature is that the turnstile with bicycle gate for pedestrian and bicycle access. Which is provides a high safety and convenient access solution for both pedestrian and rider with bike.
- The body is made of brushed stainless steel which is robust, rigid, anti-rust, waterproof and durable.
- It is ideal for both indoor and outdoor settings.
- It has standard relay signal, which can be integrated with any kind of third-party access control system (e.g.: RFID, Fingerprint and Biometric reader device).
- It supports any type of external device solution. (e.g.: Display, Counter, Reader, Face recognition, Push button, Card collector, RFID Wristband Collector, Coin insert, Barcode/QR reader, Wheel).
- In case of emergency, turnstile gate will open automatically to allow free passage when power off.
- Anti-tailing function: only one person passes at one time.
- It is suitable for areas with high security. (e.g.: Embassy, Stadium, Bank, Jail, Oil Field, Construction site, Station).

## Features

- ✓ Long-life performance, high operation dependability and fast response.
- ✓ The mechanism is equipped with an automatic regulated hydraulic buffer device. No noise and impact when running.
- ✓ Single directional or Bi-directional is selectable.
- ✓ Automatic reset function: turnstile arm will lock automatically within 5s (can be setting) if passenger delay to entry.
- ✓ LED indicator (red × means no entry; green → means entry).
- ✓ Structure of trunking to contain cable tidy inside the case.
- ✓ Structure of ring cover on top and bottom to beautify it.
- ✓ Structure of arm with round stainless-steel end cover.
- ✓ Easy to install and maintain.
- ✓ 3-year warranty support.



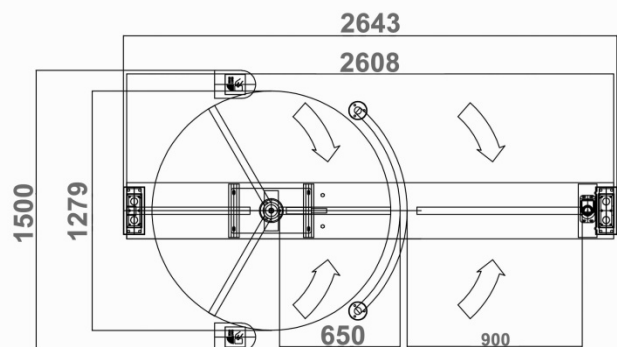
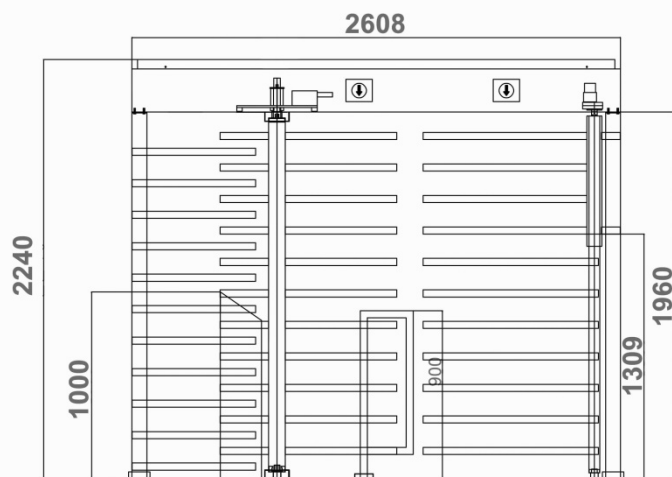
We don't only offer turnstile gates

We offer full access control solutions



# Specification

Model No.	DS408
Type	Full Height Turnstile with Bicycle Gate
Brand	Daosafe
Framework Material	304 full stainless steel
Arm Support	120° rotors with 3 sections or 90° rotors with 4 sections
Dimension	2608 * 1500 * 2240mm
Net Weight	380kg/pcs
Passage Width	2 lanes, 650mm/lane (for pedestrian), 900mm/lane (for bicycle)
Passing Direction	Single directional / Bi-directional
MCBF	5 million
Power Supply	AC220V/110V, 50/60Hz
Operation Voltage	24V DC
Power Consumption	40W
Operation Temperature	-15 °C – 60 °C
Operation Humidity	0 ~ 95% (No freeze)
Working Environment	Indoor / Outdoor with solid rain protection roof
Flow Rate	35-40 people per minute
LED Indicator	Yes
Emergency	Automatic arm open when power off
Communication	Dry contact, Relay signal, RS485





- Face Recognition**  
 Dynamic face recognizes, non-contact and trendy solutions
- Barcode /QR scanner**  
 Connect with mini PC or access controller to use  
 Support phone or paper Barcode/QR
- RFID Card**  
 All kinds of RFID card reader, such as  
 Mifare, EM cards, HID card, Key Fob, Wristband...
- Biometric Device**  
 Support Fingerprint, RFID card, password  
 Popular and secure access control solutions
- Key Fob**  
 RFID type, mainly use in apartment
- Card Collector Machine**  
 The solution is mainly used in park, building for visitor
- Wristband**  
 RFID type, mainly used in swing pool and gym
- Coin Insert**  
 The solution is mainly for bus stations or toilet
- Wheel**  
 Integrated on turnstile for movable and portable
- Button**  
 Exit by freely passing/ push button
- 3rd Party Access Controller**  
 Any 3rd party access controller can integrate with all our turnstiles

# Full Height Turnstile

DaoSafe



## Bicycle Gate Close

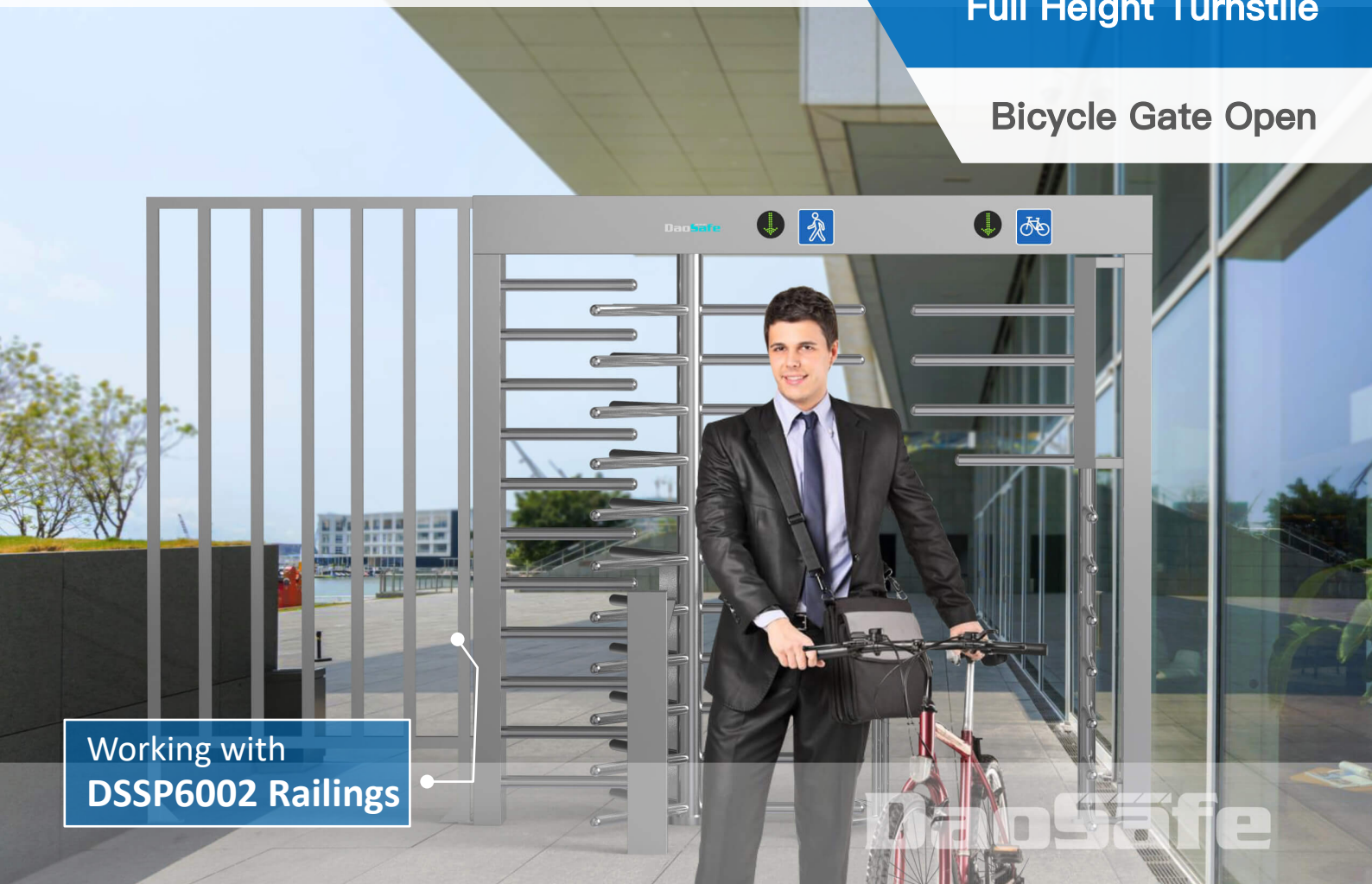


DaoSafe

Full Height Turnstile with bicycle gate DS408 is single door type for pedestrian with bicycle, which is ideal for using at outdoor environments and usually matched with DSSP6002 railings and DSSP6002B full height pedestrian gate for handicap access, large deliveries and etc.

# Full Height Turnstile

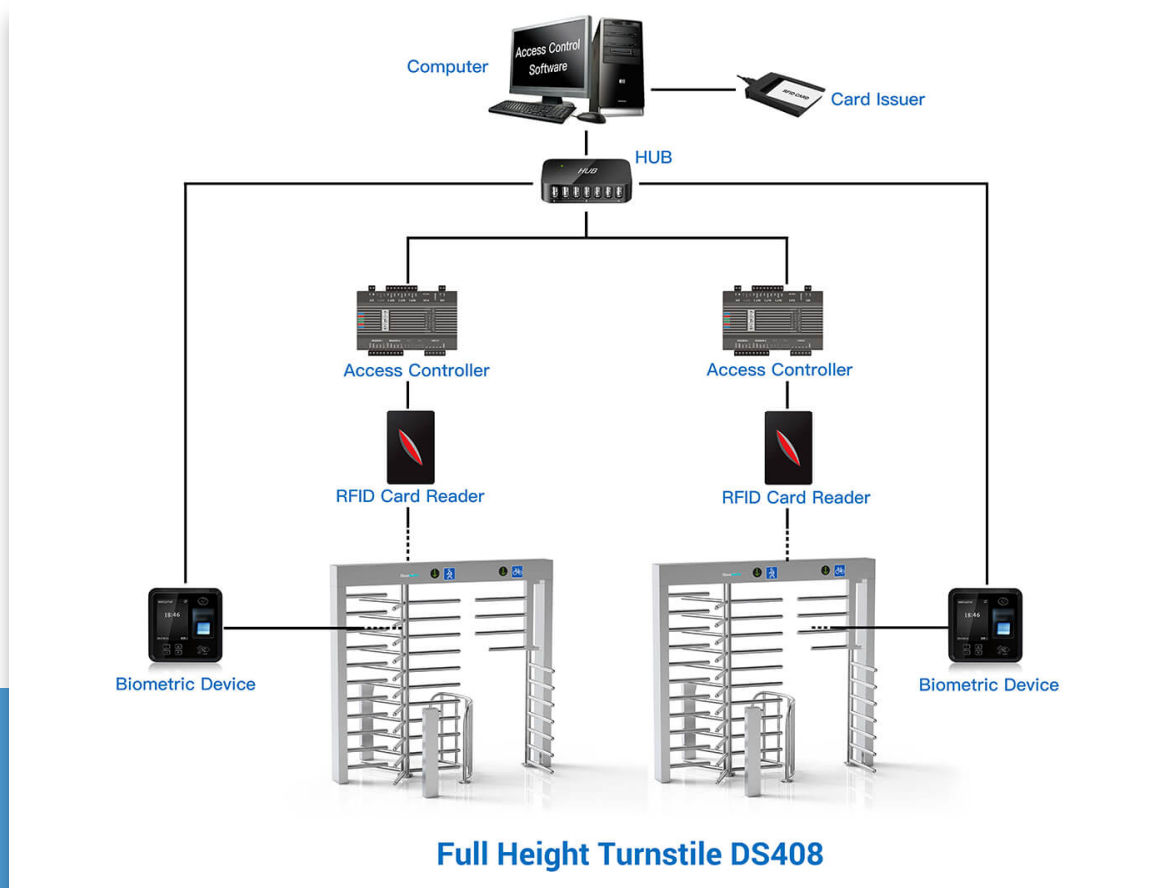
## Bicycle Gate Open



Working with  
DSSP6002 Railings

DaoSafe

# System Integration Figure



## REMARK:

- The turnstile circuit board support to work with any relay signal, and support to integrated with any 3rd party access control system: RFID, BIOMETRIC, QR/BARCODE and so on.
- Multiple access controller board can be connected by TCP/IP through network cable, control by central computer.
- The turnstile circuit board is also with RS232 output, it can connect with mini PC. Turnstile will open once received simple code by computer, which is suitable for the complicated like ticketing system solution.

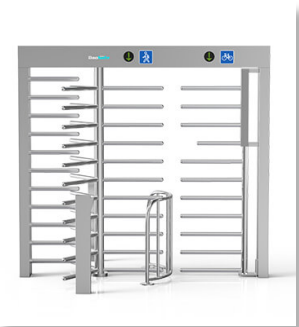
Full height turnstile is for maximum security in all type turnstiles. The most obvious feature of DS408 is that the turnstile with bicycle gate for pedestrian and bicycle access. Which is provides a safety and convenient access solution for both pedestrian and rider with bike.



DS408 Bicycle Gate Open-Front



DS408 Bicycle Gate Open-Side



DS408 Bicycle Gate Close-Front