



**DS210Z OPTICAL SWING TURNSTILE**  
SINGLE / BI-DIRECTION



- Optical swing turnstile is to control pedestrian entry or exit in restricted areas, usually used in high pedestrian traffic flow in both directions.
- The body is made of brushed stainless steel which is robust, rigid, anti-rust, waterproof and durable.
- It is ideal for both indoor and outdoor settings.
- It has standard relay signal, which can be integrated with any kind of third-party access control system (e.g.: RFID, Fingerprint and Biometric reader device).
- It has sufficient space, which can be mounted with any type of external device( e.g.: Display, Counter, Reader, Push button, Card collector, Coin insert, Barcode/QR reader, Wheel).
- In case of emergency, the swing arms will open automatically to allow free passage when power off.
- It support standard and handicapped type with wide passageway, wheelchair, pedestrian with large luggage can pass.
- It is suitable for areas with high pedestrian traffic (e.g.: Hotel, Building, Dormitory, Station, Airport, Supermarket).

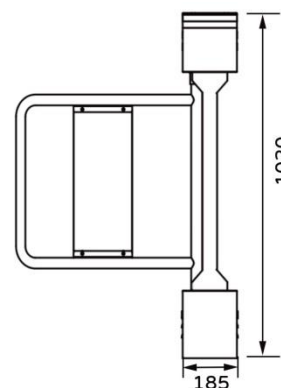
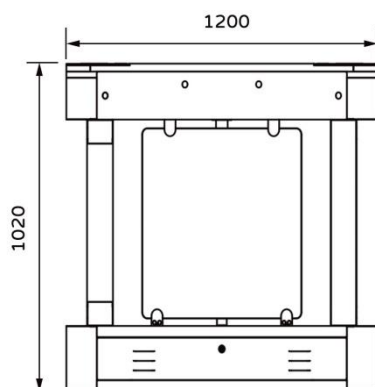
## Features

- ✓ Long-life performance, high operation dependability and fast response.
- ✓ The whole system runs smoothly, low noise, no mechanical impact.
- ✓ Single directional or Bi-directional is selectable.
- ✓ Automatic reset function: swing arms will lock automatically within 5s (can be setting) if passenger delay to entry.
- ✓ When power is off, swing arms will open automatically, which is complying with fire safety requirements.
- ✓ LED indicator (red—means no entry; green →means entry).
- ✓ Easy to install and maintain.
- ✓ 3-year warranty support.
- ✓ Infrared sensor alarm function, in case of illegal intrusion and reverse intrusion.
- ✓ Anti-intrusion function, the turnstile is locked automatically until valid opening signal input.
- ✓ Anti-reverse function, the turnstile alarms if someone wants to entry in the reverse direction.
- ✓ Anti-trailing function, the turnstile alarm if someone wants to burst in without permission.
- ✓ Anti-collision and anti-kick function, it designed with consolidated and more durable mechanism, will not break even someone collide it.
- ✓ Swing arm automatic resets function: swing arm will reset automatically if is off position after strong hit. The movement will not be broken or damaged for bump.
- ✓ It has the fast open and close speed rate and can be adjusted.



## Specifications

<b>Model No.</b>	DS210Z
<b>Framework Material</b>	304 Stainless Steel+ Plexiglas Arm
<b>Brand</b>	Daosafe
<b>Arm material</b>	Plexiglas-transparency
<b>Dimension</b>	1200 * 185 * 1020mm
<b>Net Weight</b>	60kg/pcs,80kg/pcs
<b>Passage Width</b>	600-1200mm (One passage)
<b>Passing Direction</b>	Single directional / Bi-directional
<b>MCBF</b>	5 million
<b>Power Supply</b>	AC220V/110V, 50/60Hz
<b>Operation Voltage</b>	24V DC
<b>Power Consumption</b>	40W
<b>Operation Temperature</b>	-15 °C - 60 °C
<b>Operation Humidity</b>	0 ~ 95% (No freeze)
<b>Working Environment</b>	Indoor / Outdoor
<b>Flow Rate</b>	35-40 people per minute
<b>LED Indicator</b>	Two LED indicators on top: green → entry. red — no entry
<b>Infrared Sensor</b>	4 pairs(standard)
<b>Emergency</b>	Automatic arm open when power off
<b>Communication</b>	Dry contact, Relay signal, RS485



# System Integration Figure



# Range of Applications

